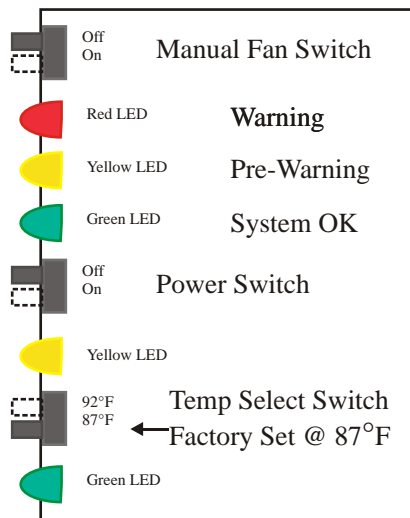


# K9 Kool Down

## Temperature Monitoring & Alert System



### K9 Kool Down Specifications

Operating Voltage - 10 VDC to 18 VDC

Circuit Protection

Logic Fuse - 0.75 Amp

Power Fuse - 30.0 Amp

Max Power Output

Horn - 1 Amp

Window 1 - 5 - 15 Amps

Window 2 - 5 - 15 Amps

Fan - 7.5 Amps

Physical

K9 KoolDown Module - 3" x 1" x 2" (w x h x d)

Temperature Probe - 1 1/2" x 2" (w x l)

Temp Probe & Cable - M871

12VDC Fan Avail - M852-FAN



**K9 Kool Down is NOT intended for use with humans. Please do not leave babies or children unattended in a closed vehicle.**

Call TouchTronics, Inc., Sales for  
Additional Information, Samples and Pricing

**1-800-294-2570** (Inside US)

**1-574-294-2570** (Outside US)

Designed & Manufactured in the **USA** since 1984